

4100E Series 2 Electronic Siren



- ◇ *Up to 122db@1m*
- ◇ *Great IP weather rating*
- ◇ *Single tone installed at manufacture*
- ◇ *Wide Cone speaker for sound projection*

Key Features

- ◇ **Sound Output** Wide Cone Speaker Continuous Rating upto 122 decibel@1m
- ◇ **IP Weather Rating** UV protected weatherproof control box IP67 & IP65 Speaker
- ◇ **Voltages available** 240vac 110vac 24vdc 12vdc
- ◇ **Origin:** Circuit board designed & assembled In Australia.
- ◇ **Volume** Internal volume Control
- ◇ **Popular Tones** Official AFL Trumpet Tone Siren, Low Trumpet tone,.

Features

Sirens control box is assembled and tested in Australia.

Control box UV protected weatherproof to IP67 & IP65 Wide cone Speaker.

Speaker is IP65 and is a quality aluminium wide cone with Stainless steel mounting bracket.

Low Trumpet tone, Twin Trumpet tone & Official AFL tone.

Selectatone 4150W Tones, High Pulsing Air Raid & Low Pulsing Air Raid.

Speaker cable can be extended by your Electrician up to 20m for ease of access.

Replacement for Electromechanical RVB 4100CT and RVB 4100 Scroll & Selectatone Sirens.

Applications

Outdoor sites such as Schools, Commercial or Industrial, Sporting Ovals, Sports Clubs, Football Timekeeping and Yacht races.

Cranes where a distinctly different trumpet tone siren is needed.

Replacement for Electromechanical RVB 4100CT and RVB 4100 Scrolls

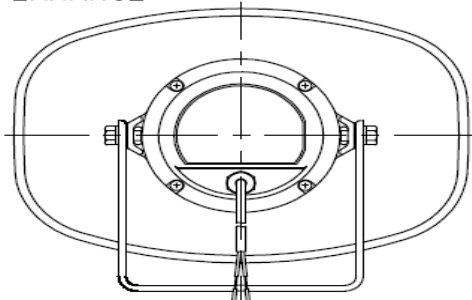
Replacement for Selectatone 4150W Sirens.

Technical Specifications

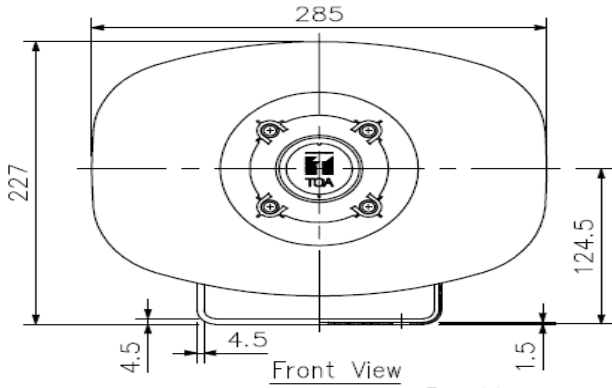
Name	4100E Series 2 Electronic Siren
Voltages	240vac 110vac 24vdc 12vdc
Sound Output	Continuous Rating upto 122 decibel@1m (12vdc up to 120db@1m)
Load @ Full Volume	240vac -0.12 Amps 110vac-0.2 Amps 24vdc -1 to 1.4 Amps Tone dependant 12vdc - 0.8 Amps
Load @ Start Up	240vac- Less than 0.5 Amps 110vac- Less than 0.5 Amps 24vdc- 1 Amp
Cable Entry	Cable Entry—CG16 cable gland IP68
Construction	Horn: Aluminum powder coated ABS Resin Reflector rear cover. Bracket, screws and bolts Stainless steel. Control Box – Opaque ABS/PC base and lid. UV Resistant.
Dimensions	240vac 110vac Control Box 170Hx140Wx95D mm 24vdc 12vdc Control Box 125Hx125Wx75D mm Speaker 285W × 227H ×277D mm
Weight	3kg & (12vdc 2.4kg)
Models up to 122db	4100E-S2 Low Trumpet tone siren 4100E-S2 Twin Trumpet tone siren 4100E-S2 AFL tone siren 4100E-S2 Aust Evac AS2220 Tone siren
Models up to 120db	4100E-S2 Aust Alert Tone siren 4100E-S2 Low Pulsing Air Raid Tone siren 4100E-S2 High Pulsing Air Raid Tone siren 4100E-S2 Aust Alert Tone siren 4100E-S2 Selectatone sounds include: Siren Wail, Pulsing, Siren Slow & Fast.

4100E Series 2 dimensions

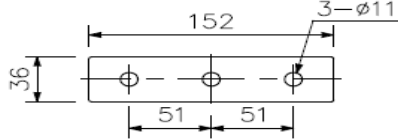
■ APPEARANCE



Rear View



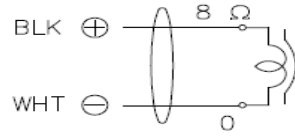
Front View



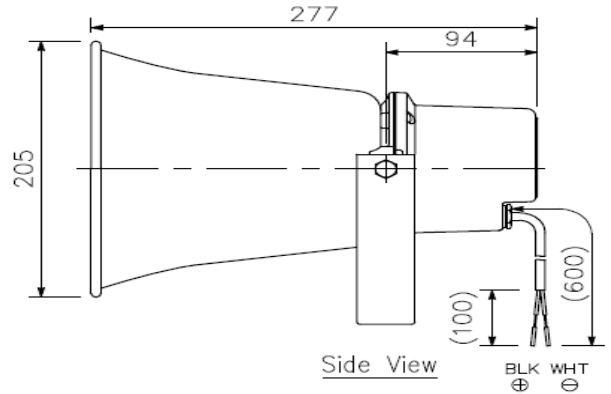
Bracket dimensional diagram

UNIT:mm SCALE:1/5

Speaker 30w 8ohm dimensions



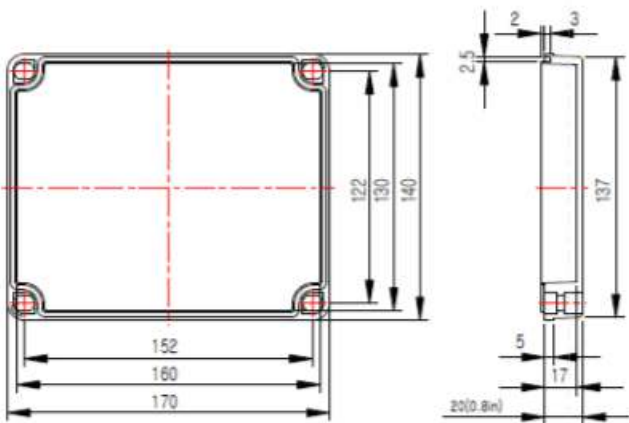
Wiring diagram



Side View

Note: Numerical values in parentheses are for reference only.

240vac an 110vac Control box dimensions



12vdc and 24vdc Control Box dimensions

