

## Directional, Single Tone Industrial Air Horn

\*EFFECTIVE OUTDOOR COVERAGE OF UP TO 1.0 KM/.5 Miles

Designed for industrial use, the Kahlenberg Model S-0A Air Horn is an extremely durable unit built for a lifetime of trouble-free service. Where compressed air is readily available, the S-0A Air Horn is the most economical means of achieving a general warning signal in excess of 130 decibels. The S-0A is available with additional accessories such as manual and electrically operated valves and timers.



### TECHNICAL DATA

Fundamental Frequency: 322 Hz

S.P.L.: 131 dB (a) @ 1M

Air Consumption: 9 CFM/4.2 l/s @ 100 p.s.i.

Air Pressure Required: 50 to 200 p.s.i., (3.5-14 bar)

Electrical Power Required: (Use with separate solenoid valves, any voltage)

Material: Cast Bronze and Spun Brass

Net Weight: 4.75 lb.s, 2.15kg

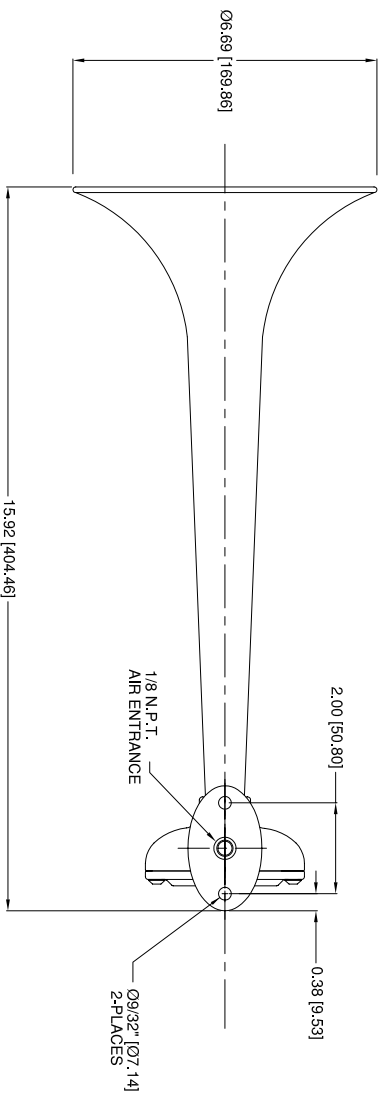
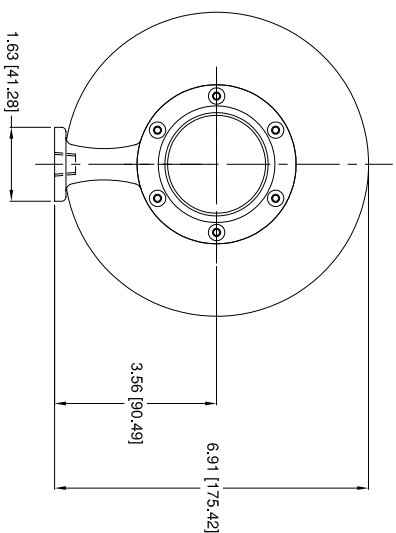
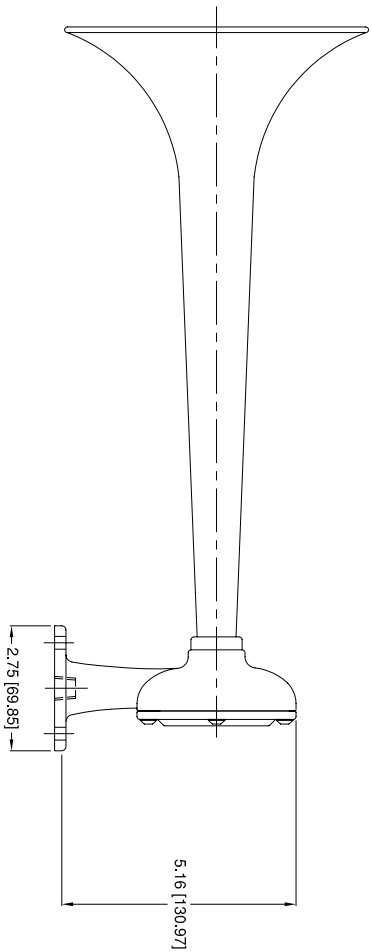
Shipping Weight: 7 lbs., 3.2kg

Finish:

None as standard, Optional Powdercoat Finishes available

- **ASSEMBLY INCLUDES ONLY 1 MOVING PART**
- **HIGHLY RELIABLE, NO MAINTENANCE**
- **LOW AIR CONSUMPTION, OPERATES ON A WIDE RANGE OF AIR PRESSURE**
- **ALL BRONZE AND BRASS CONSTRUCTION FOR CORROSION RESISTANCE**
- **DESIGNED TO PENETRATE HIGH LEVELS OF BACKGROUND NOISE**

REV.	BY	DATE	DESCRIPTION	APP'D.
A	ZJN	03/01/11	REVISED WITH UPDATED BODY/STAND & COVER	EMK




**TECHNICAL DATA**

Frequency: 322 Hz  
 Sound Pressure Level (dB(A) @ 1 meter): 131.0 dB  
 Sound Pressure Level (1/3 octave at 1 meter): 122.9 dB  
 Air Consumption: 9 C.F.M. @ 100 P.S.I.  
 Air Pressure Req: 50 to 200 P.S.I.  
 Electric Power: N/A  
 Material: Spun Brass and Cast Bronze  
 Net Weight: 4.75 Lbs.  
 Shipping Weight: 9 Lbs.

**CONFIDENTIAL**

INFORMATION CONTAINED HEREIN IS CONFIDENTIAL, IT IS THE PROPERTY OF KAHLBERG INDUSTRIES INC. IT IS TO BE USED SOLELY FOR THE PURPOSE PROVIDED, AND IT IS NOT TO BE DISCLOSED TO OTHERS WITHOUT THE PRIOR WRITTEN CONSENT OF KAHLBERG INDUSTRIES INCORPORATED.

© CopyRight Kahlberg Ind. Inc. 2010



KAHLBERG INDUSTRIES INC.  
TWO RIVERS, WISCONSIN 54241

**OUTLINE DIMENSIONS**

**S-0A AIRHORN**

DR.	DATE	CKD.	SCALE	DRWG. NO.	REV.
ZJN	06/12/03	EMK	N.T.S.	3-6236	A