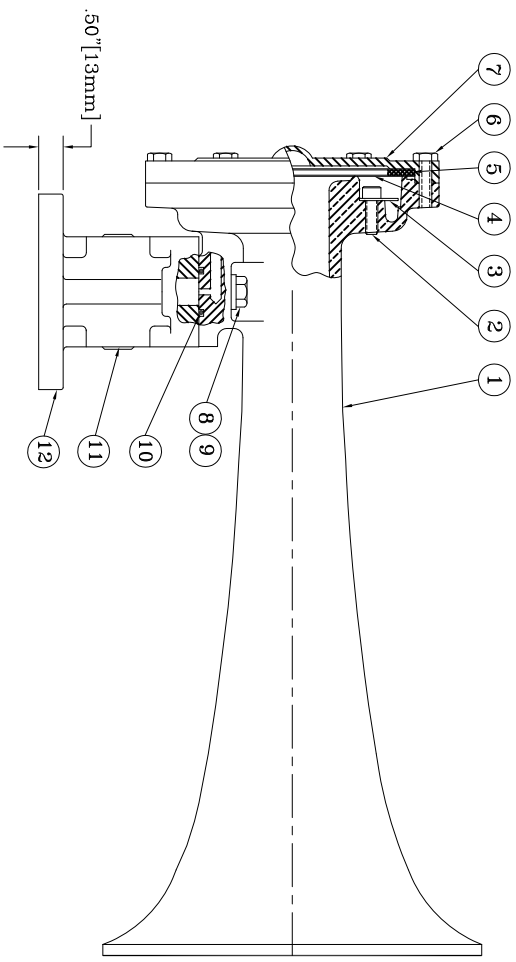
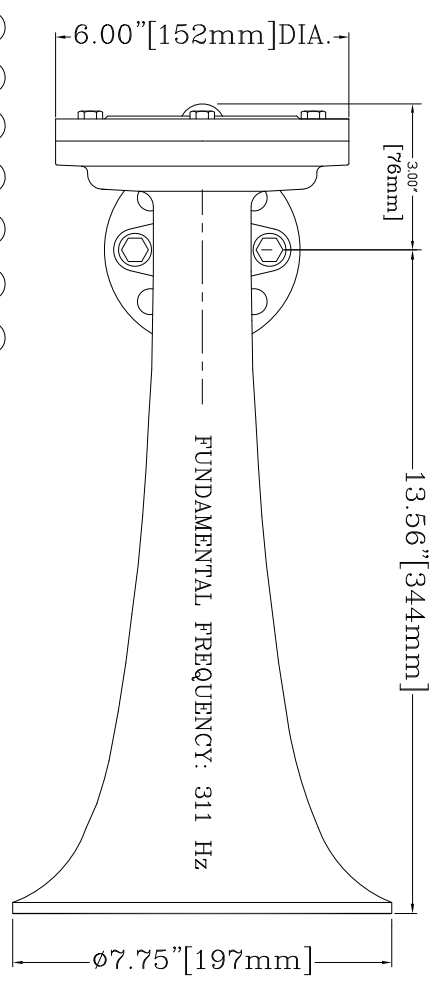
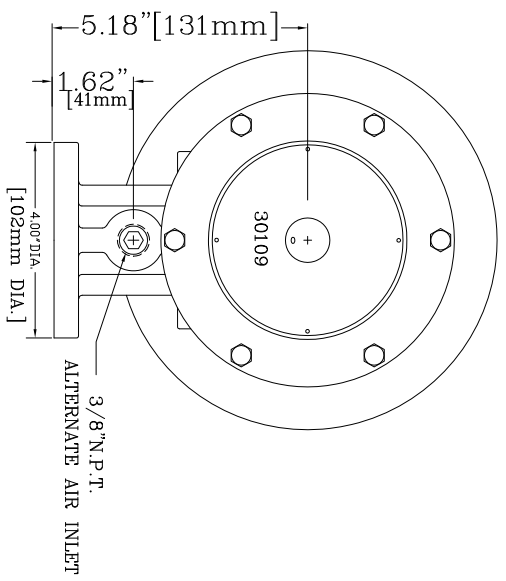
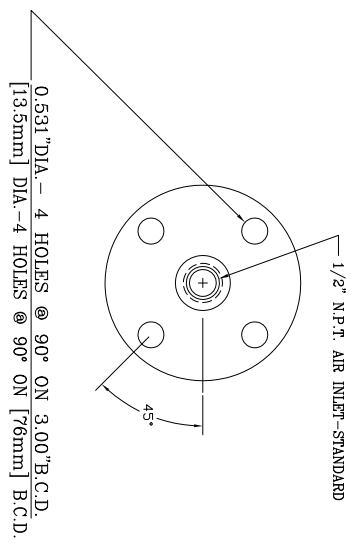


REV.	BY	DATE	DESCRIPTION	APP'D.



REF PART	DESCRIPTION	MATERIAL	SPECIFICATION	QTY
1	BELL BODY No. 1	DIE CAST ALUMINUM	ASTM-B26-65	1
2	SOCKET HD. CAP SCREW	STAINLESS STEEL	ASTM F594	3
3	DIPFUSER	STAINLESS STEEL	UNS-S30400	1
4	DIAHRAGM DISC	STAINLESS STEEL	UNS-S30100	2
5	CUSHION RING	SILICONE RUBBER	ASTM D2000	1
6	HEX HEAD CAP SCREW	STAINLESS STEEL	ASTM F593C	6
7	DIAHRAGM CAP	DIE CAST ALUMINUM	ASTM-B26-65	1
8	HEX HEAD CAP SCREW	STAINLESS STEEL	ASTM F593C	2
9	LOCKWASHER	STAINLESS STEEL	ASA B27.1	2
10	O RING	BUNA N	ML STD 417 SB	1
11	PIPE PLUG 3/8" N.P.T.	ALLOY STEEL	ASA B18.8	2
12	BASE-SINGLE TONE	CAST ALUMINUM	UNS A03562	1



CONFIDENTIAL

INFORMATION CONTAINED HEREIN IS CONFIDENTIAL. IT IS THE PROPERTY OF KAHLBERG INDUSTRIES INC. IT IS TO BE USED SOLELY FOR THE PURPOSE PROVIDED, AND IT IS NOT TO BE DISCLOSED TO OTHERS WITHOUT THE PRIOR WRITTEN CONSENT OF KAHLBERG INDUSTRIES INCORPORATED.

Kahlberg
TWO RIVERS, WISCONSIN 54241
KAHLBERG INDUSTRIES INC.

OUTLINE DIMENSIONS / PARTS LIST
MODEL K-1 AIR HORN

DR.	DATE	CKD.	SCALE	DRWG. NO.	REV.
ZJN	09/19/13	EMK	N.T.S.	30231	