

Directional, Single Tone Industrial Air Horn

*EFFECTIVE OUTDOOR COVERAGE OF UP TO 3 KILOMETERS



- Single tone, 370 Hz fundamental frequency, engineered to produce full harmonic contents up to 12 octaves which greatly enhance warning effectiveness
- Horn is energy efficient with hermetically sealed diaphragm assembly which operates on a wide range of pressure without tuning or adjustment.
- Horn construction: High strength aluminum casting, stainless steel diaphragm discs and fasteners.

* Signal will produce a sound pressure level of approximately 70 dB @ 3 km in calm, cool conditions without topographical interference. Signal strength at distance can vary dramatically depending on environmental and geographical conditions. Please consult factory for more detailed information.

SPL (loudness) on Total:	139± 1 dBA @ 1 meter
Air Inlet:	1/2" NPT
Operating medium:	Air, nitrogen, CO ₂
Air consumption:	11 L/Sec [24 SCFM] on 7 bar [100 PSIG]
Control:	Manual, Solenoid or Combination valve
Audibility:	3 km on still air
Fundamental Frequency:	370 Hz ± 20 Hz
Tone (musical note):	G ₄ flat
Operating Pressure:	2 – 10 bars [30 -150 PSIG]
Operating Temperature:	-40°C to +85°C [-40°F to +185°F]
Finish:	Painted red
Degree of Protection:	IP 54
Basic Dimension:	330mm x 178mm x 229mm [13"x 7"x 9"]
Net Weight:	3 kg [6.5 lbs]

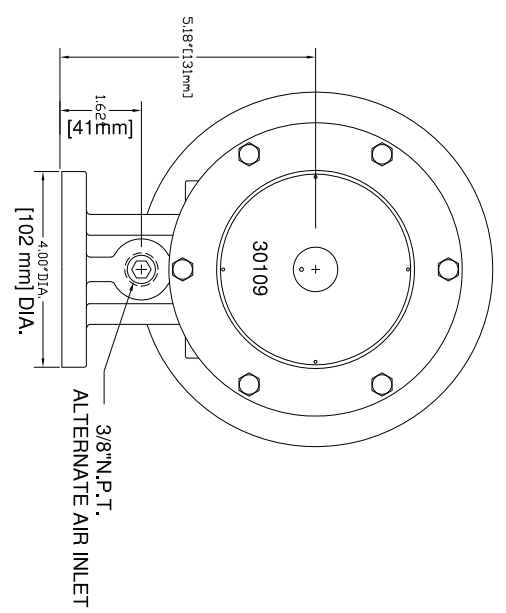
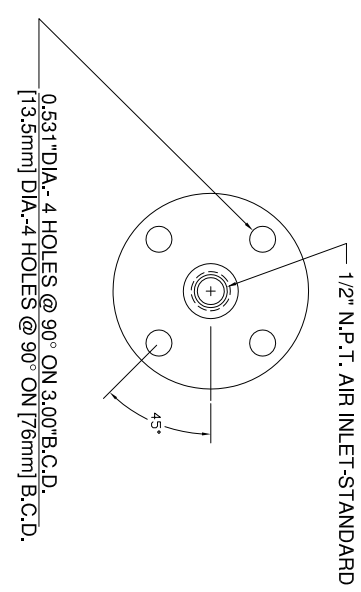
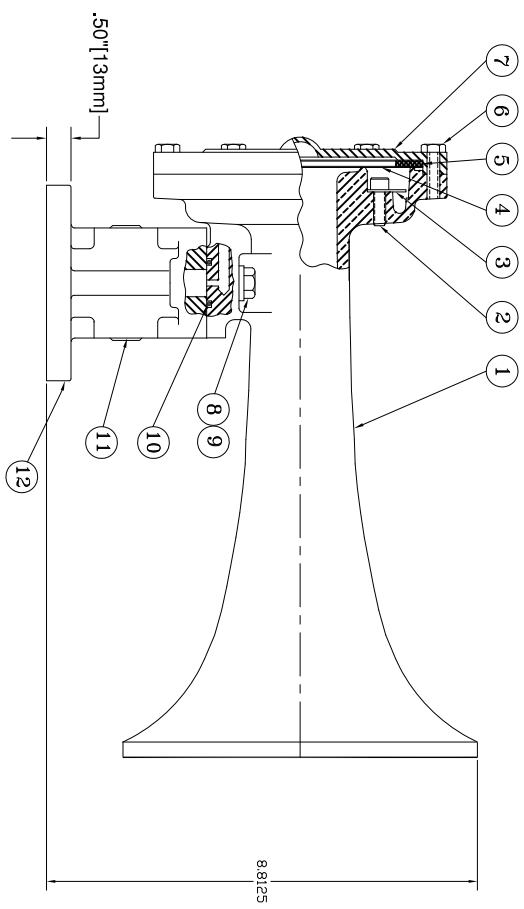
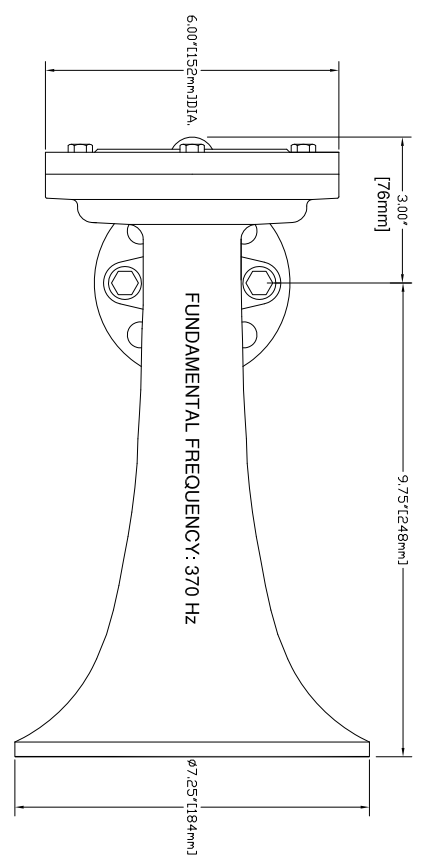
Kahlenberg Industries, Inc.

1700 12th Street, P.O. Box 358
Two Rivers, Wisconsin, 54241

Phone: (920) 793-4507 / Fax: (920) 793-1346

Website: www.kahlenberg.com Email: info@kahlenberg.com

REV.	BY	DATE	DESCRIPTION	APP'D.
------	----	------	-------------	--------



REF PART	DESCRIPTION	MATERIAL	SPECIFICATION	QTY
1	30102 BELL BODY No.2	DIE CAST ALUMINUM	ASTM-B26-65	1
2	30144 SCREW 1/4"-20x5/8"	STAINLESS STEEL	ASTM F837-91	3
3	30143 DIAPHRAGM DISC	STAINLESS STEEL	UNS-S30400	1
4	30111 DIAPHRAGM DISC	STAINLESS STEEL	UNS-S30100	2
5	30112 CUSHION RING	SILICONE RUBBER	ASTM D2000	1
6	30110 SCREW 1/4"-20x7/8"	STAINLESS STEEL	ASTM-F593C	6
7	30109 DIAPHRAGM CAP	DIE CAST ALUMINUM	ASTM-B26-65	1
8	30119 SCREW 3/8"-16x1 1/2"	STAINLESS STEEL	ASTM F593C	2
9	30122 LOCK WASHER	STAINLESS STEEL	ASA B27.1	2
10	30211 O RING	BUINA N	MIL STD 417	1
11	20914 PIPE PLUG 3/8" N.P.T.	ALLOY STEEL	ASA B18.8	2
12	39117 SINGLE TONE BASE	CAST ALUMINUM	UNS A03562	1

CONFIDENTIAL

INFORMATION CONTAINED HEREIN IS CONFIDENTIAL. IT IS THE PROPERTY OF KAHLBERG INDUSTRIES INC. IT IS TO BE USED SOLELY FOR THE PURPOSE PROVIDED, AND IT IS NOT TO BE DISCLOSED TO OTHERS WITHOUT THE PRIOR WRITTEN CONSENT OF KAHLBERG INDUSTRIES INCORPORATED.



KAHLBERG INDUSTRIES INC. TWO RIVERS, WISCONSIN 54241

OUTLINE DIMENSIONS / PARTS LIST
MODEL K-2 AIR HORN

DR.	DATE	CKD.	SCALE	DRWG. NO.	REV.
ZJN	03/19/13	EMK	N.T.S.	30232	

CAGE: 75214